

MM-ETB systems



High-Performance
taylor-made solutions
for electrolysis studies

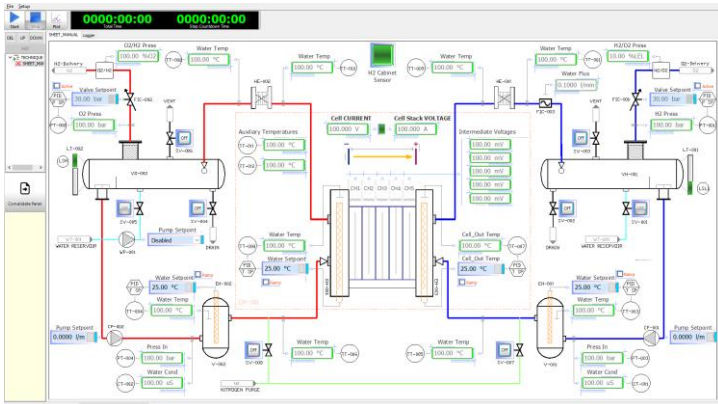
MaterialsM Instruments



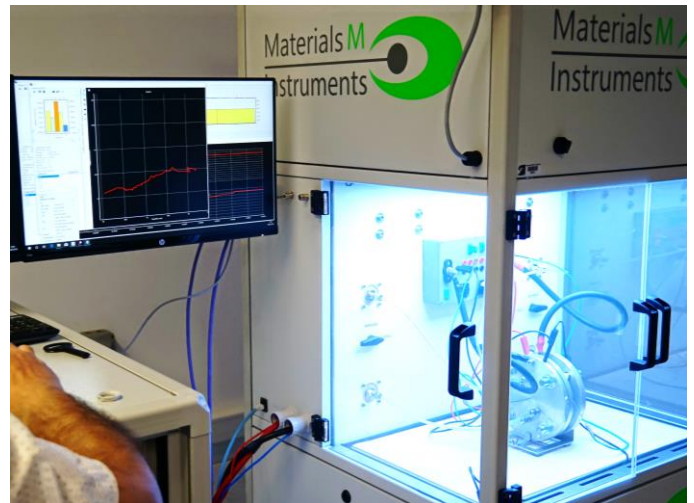
Since 2006 MMI has supplied laboratories worldwide with customized test stations able to perform where standard instruments will not



Today the MM-ETB series covers the highest specs in Hydrogen generation studies with a compact and modular approach that fulfills any required fluid management, case by case



- ✓ Cathodic and Anodic water circulation to 50 Bar /150°C
- ✓ 1W to 5 kW with EIS and multi-channel capability
- ✓ Self-contained in a failure-proof enclosure with active gas safety
- ✓ Advanced data acquisition
- ✓ Full Software control



To find out more about our line of electrolyzers test stations contact us directly or through our network of qualified distributors worldwide